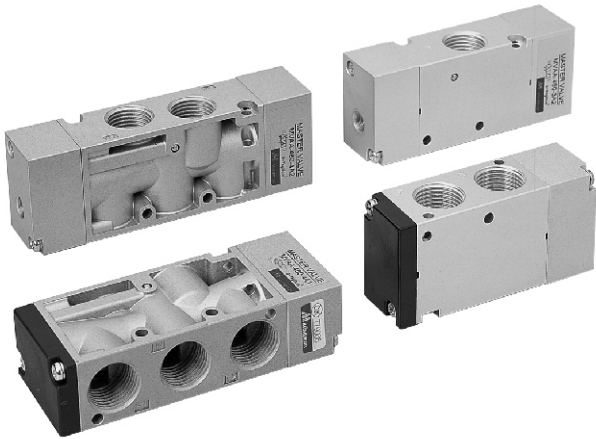


# MVAA-460 series

MASTER VALVE



## Specification:

Model	MVAA-460-3A1,A2	MVAA-460-4A1,A2	
Bore No.	15A		
Port size	G 1/2		
No. of port	3	5	
Medium	Air		
Operating pressure range	0~8 kgf/cm <sup>2</sup>		
Proof pressure	10 kgf/cm <sup>2</sup>		
Effective orifice	50 mm <sup>2</sup>		
Pilot pressure range	2~7 kgf/cm <sup>2</sup>		
Ambient temperature	-5~ +60°C (No freezing)		
Weight	300 g	326 g	275 g 338 g

## Order example:

MVAA - 460 - 4A2 - NC - PT

MODEL

BODY WIDTH

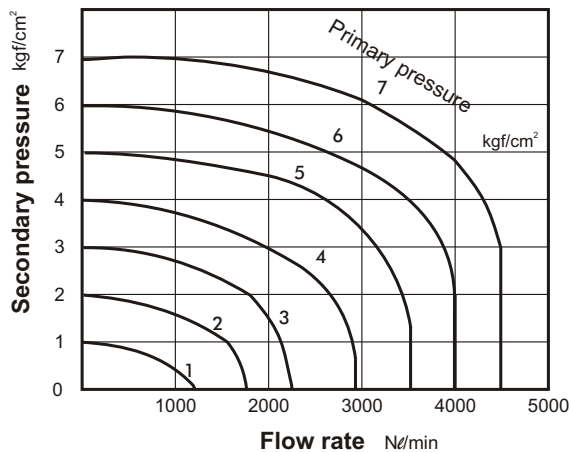
3: 3way  
4: 4way

A1: Single Air Operate  
A2: Double Air Operate

NC: Normally closed  
NO: Normally open  
(Only for 3A1)

PORT THREAD  
Blank: G thread  
PT: PT thread  
NPT: NPT thread

## Flow features:



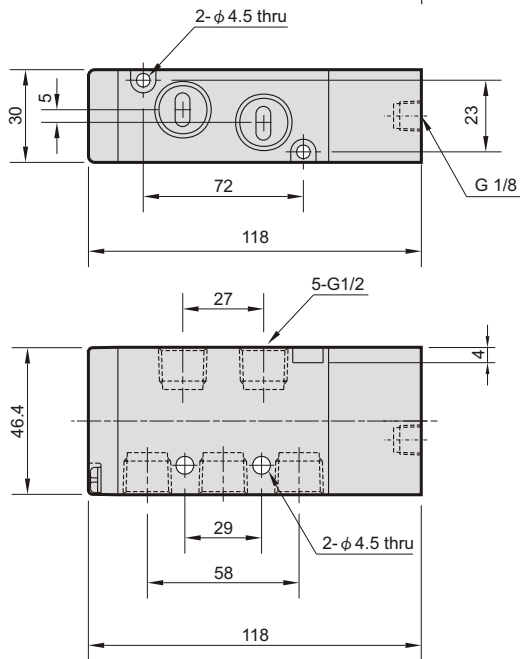
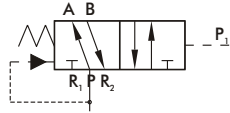
# MVAA-460

MASTER VALVE

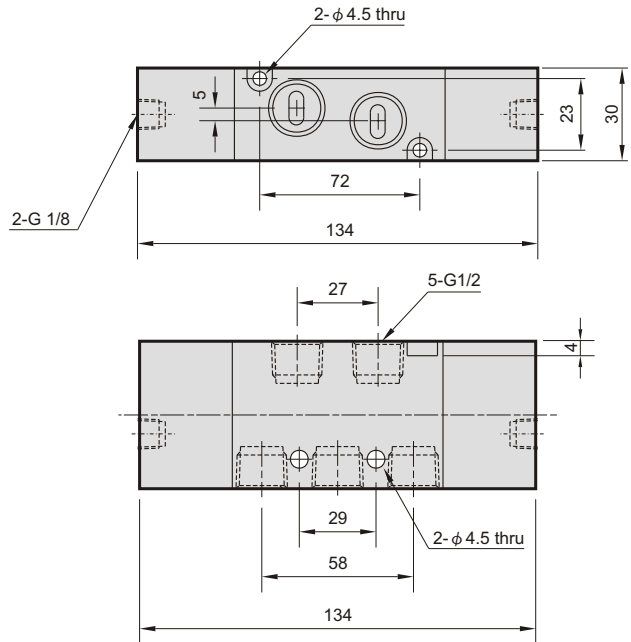
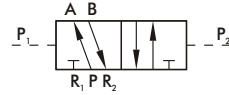


## Dimensions:

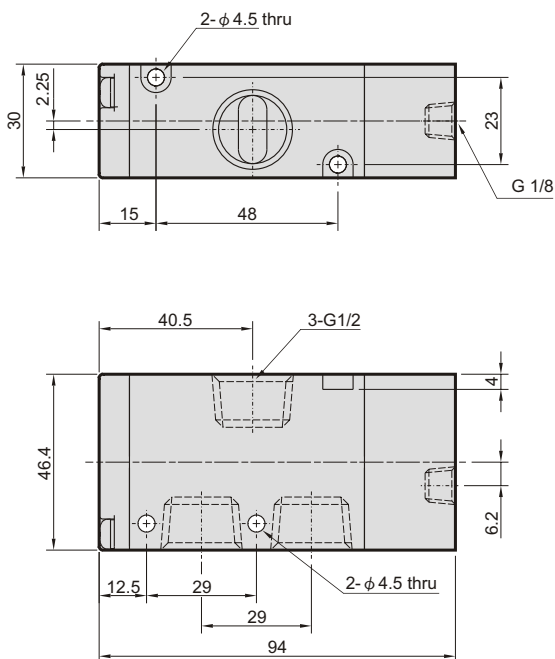
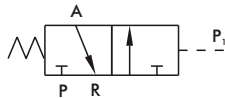
### MVAA-460-4A1



### MVAA-460-4A2



### MVAA-460-3A1-NC



### MVAA-460-3A2

